



# MS4

Mobile Digital Projector



## High performance. Low Price.



Microtek's MS4 mobile digital projector is a high-performance choice that offers versatility, high resolution and stellar color clarity. Whether in the boardroom or in the classroom, on the road or in the home, the MS4 sets up in seconds, runs whisper-quiet and delivers brilliant contrast and vivid colors.

State-of-the-art DLP™ technology from Texas Instruments® provides 1200 ANSI lumen brightness, 1500:1 contrast ratio, and native SVGA (800x600) resolution, ensuring sharp and crisp images in any lighting condition. Clearly marked inputs and Plug and Project compatibility guarantee your HDTV video, slide show, or Excel® spreadsheet will be up and running immediately.

With a stylish understated design, sleek carrying case and affordable price, the MS4 is the perfect projector to help you keep the focus on what is important—you and your presentation.

### Superior hardware leads to superior performance

- Stylish ultraportable design at just over 4 lbs
- Superior image quality with DLP technology
- Bright and crisp 1200 ANSI lumens and 1500:1 contrast ratio
- SVGA (800x600) resolution for sharp images
- HDTV-ready
- Extensive computer and video connections, including DVI for high end digital video
- Manual focus and digital zoom
- +/- 15°( keystone correction eliminates distortion
- Whisper quiet fan provides minimal distracting noise
- Kensington® security lock
- Quick startup and shutdown
- Includes soft carrying case

# MICROTEK

[www.microtek.com](http://www.microtek.com)

# Microtek MS4 Mobile Digital Projector

## Projection System Features

<b>Part Number</b>	1102-03-991000
<b>Native Resolution</b>	800 x 600 (SVGA)
<b>Max Resolution</b>	1024 x 768 (SXGA)
<b>Display Type</b>	0.55" DDR DLP Technology
<b>Brightness (typical)</b>	1200 ANSI lumens
<b>Lamp</b>	200 watt VIP
<b>Lamp Life</b>	2000 hours
<b>Brightness Uniformity (typical)</b>	>80%
<b>Projection Lens</b>	1.16:1 manual zoom; F 2.4 - 2.6, f 24.0 - 28.8mm manual focus
<b>Displayable Colors</b>	24-bit; 16.7 million
<b>Contrast Ratio</b>	1500:1
<b>Aspect Ratio</b>	4:3 (supports 16:9)
<b>Projected Distance</b>	4.9' - 23' (1.5m - 7.0m)
<b>Screen Size (diagonal)</b>	37" - 202.8" (0.94m - 5.15m)
<b>Digital Keystone Correction</b>	±15 degrees
<b>Audio</b>	Built-in 1 watt mono speaker x1
<b>Security Lock</b>	Kensington® MicroSaver Security System
<b>Remote Control Features</b>	Wireless remote with laser pointer, mouse function, power, auto image, source select, keystone, menu, enter, volume, arrow keys, and full OSD controls

## Technical Specifications

<b>Horizontal Scan Rate</b>	15, 31 KHz - 70 KHz
<b>Vertical Refresh Rate</b>	50Hz - 85Hz
<b>Installation Options</b>	Front, rear, ceiling
<b>Plug and Project</b>	VESA® DDC 1/2B
<b>Power Consumption</b>	280W; 20W standby mode
<b>Power Supply Voltage</b>	Universal 100 - 240V, 50/60Hz AC
<b>Operating Temperature</b>	50°F - 95°F (10°C - 35°C)
<b>Dimensions (WxHxD)</b>	11" x 3.8" x 8" (28cm x 9.7cm x 20cm)
<b>Weight</b>	4.5 lbs / 2 kg
<b>Audible Noise</b>	<35dB (nominal room condition)

## Connectivity

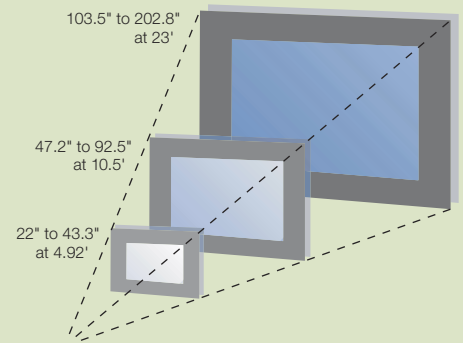
<b>Computer Inputs</b>	DVI x1
<b>Video Inputs</b>	S-video Mini DIN 4 pin x1, RCA composite video x1
<b>Audio Inputs</b>	Stereo mini jack x1
<b>Outputs Stereo</b>	Mini jack x1, D-sub HD 15-pin x1, USB x1, PS/2 x1
<b>Video</b>	NTSC, NTSC 4.43, B/G/H/I/M/N 60, SECAM, SDTV 480i, EDTV 480p, 720p, HDTV 1080i

## Included Accessories

Soft carry case, user's manual, remote control with laser pointer (with 2 AAA batteries), power cord, VGA 15-pin D-sub to DVI cable, S-video cable, audio mini jack to RCA cable, USB cable

## Warranty and Support

<b>Warranty</b>	Standard one year limited warranty, 90-day lamp warranty.
<b>Support</b>	One year technical support with dedicated line. www.support.microtek.com



Projection distance and screen size at 4:3 aspect ratio reference chart



Side View



Top View

# MICROTEK

www.microtek.com

Microtek Lab, Inc. • 16941 Keegan Avenue • Carson, CA 90746

Specifications, hardware and software bundles are subject to change without notice. © 2005 Microtek Lab, Inc. Microtek is a trademark of Microtek Lab, Inc. All other trademarks or registered trademarks are the property of their respective holders. Lamp brightness subject to change with usage. Not responsible for typographical errors.

MLIDS-MS4-0405

# MS4