

# SONY

make.believe

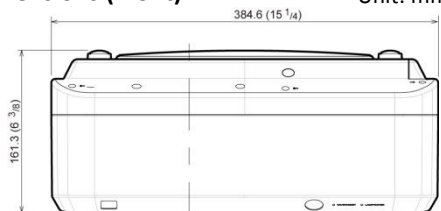
## Ultra Short Throw Projector VPL-SW535

### Key Features

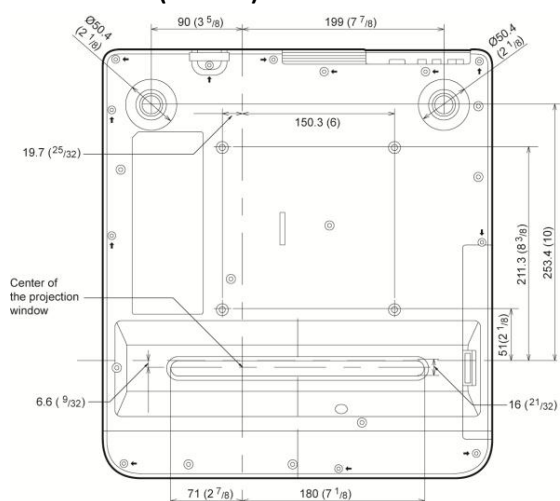
- 3,000 lumens (ISO 21118)
- Native WXGA (1,280x800) resolution
- High contrast ratio
- BrightEra® panel
- 12-bit 3D Gamma Correction circuit
- Ultra short throw distance (TR= 0.27:1-0.29:1)
- Optical lens shift and zoom for easy adjustment
- Energy efficient and power saving features
  - 6,000h recommended lamp replacement time (low mode)
  - Auto lamp dimming when the projector is left ON
  - ECO MODE key
- Synchronized lamp and filter maintenance cycle
- Convenient terminals including HDMI, RS-232C and RJ-45
- Variable audio output
- Ships with original wall mount

### Dimensions (Front)

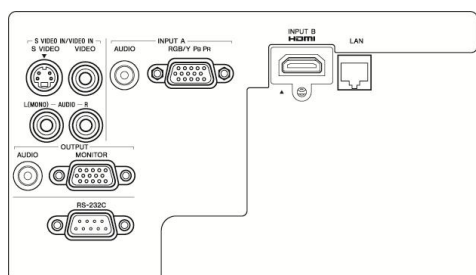
Unit: mm (inches)



### Dimensions (Bottom)



### Connector Panels



# WXGA / 3,000 lm

Optical		
Light Output / Color Light Output	3000 lumens (Lamp mode: High) 2400 lumens (Lamp mode: Standard) 2000 lumens (Lamp mode: Low)	
LCD Panels	0.75"x3 BrightEra LCD Panel	
Panel Display Resolution	WXGA (1280x800 dots)	
Contrast Ratio	2,500:1 (Full white/full black)* <sup>1</sup>	
Light Source	Ultra high-pressure mercury lamp 210 W type	
Recommended Lamp Replacement Time* <sup>2</sup>	3000H (Lamp mode: High) 4500H (Lamp mode: Standard) 6000H (Lamp mode: Low)	
Filter Cleaning Cycle* <sup>2</sup>	Max. 6000H Same time as the lamp replacement is recommended	
Projection Lens	Zoom / Focus	Approx. 1.05x Manual Zoom / Manual Focus
	Lens Shift	Manual, Vertical +/- 4.4% Horizontal +/- 2.7%
	Throw Ratio	0.27:1 to 0.29:1
Screen Size	70" to 130"	
Interface		
Computer and Video Input/Output	INPUT A	Mini D-sub 15-pin (RGB/Y Pb Pr) Audio: Stereo mini jack
	INPUT B	HDMI (Digital RGB/Y Pb Pr, Digital Audio) (HDCP support)
	VIDEO IN	Pin Jack Audio : Pin jack (x2) (shared with S VIDEO IN)
	S VIDEO IN	Mini DIN 4-pin Audio : Pin jack (x2) (shared with VIDEO IN)
	Monitor OUT	Mini D-sub 15-pin (from INPUT A)
	Audio OUT	Stereo mini jack (variable out)* <sup>3</sup>
Other Signal Input/Output	RS-232C	D-sub 9-pin (male)
	LAN	RJ-45, 10BASE-T/100BASE-TX
General		
Speaker	1Wx1 (monaural)	
Scanning Frequency	H: 14 to 93 kHz, V: 47 to 93 Hz	
Display Resolution	Computer Signal Input	Maximum display resolution : 1600x1200 dots
	Video Signal Input	Video(Composite), 15k(480/60i, 575/50i), DTV (480/60p, 575/50p, 720/60p, 720/50p, 1080/60i, 1080/50i)
Color System	NTSC3.58, PAL, SECAM, NTSC4.43, PAL-M, PAL-N	
UPC Code	0 27242 84025 6	
Power Requirements	AC 100 V to 240 V, 3.3 A to 1.2 A, 50 Hz/60 Hz	
Power Consumption	290 W (AC 100 V-120 V) 280 W (AC 220 V-240 V)	
Standby Mode Power Consumption	8.0 W (Std)/ 0.3 W (Low) (AC 100V-120 V) 8.0 W (Std)/ 0.3 W (Low) (AC 220V-240 V)	
Dimensions (WxHxD) (without protrusion)	384.4 x 122.5 x 423.4 mm 15 1/8 x4 13/16 x16 21/32 "	
Mass	7.0 kg /15 lb 7 oz	
Optional Accessories		
Replacement Lamp	LMP-E212	
Service Parts		
Replacement Filter	4-400-488-01 (FILTER A [Outside] ) 4-400-490-01 (FILTER B [Inside] ) (Filters are cleanable)	
Replacement Remote	1-489-222-11 (RM-PJ7)	

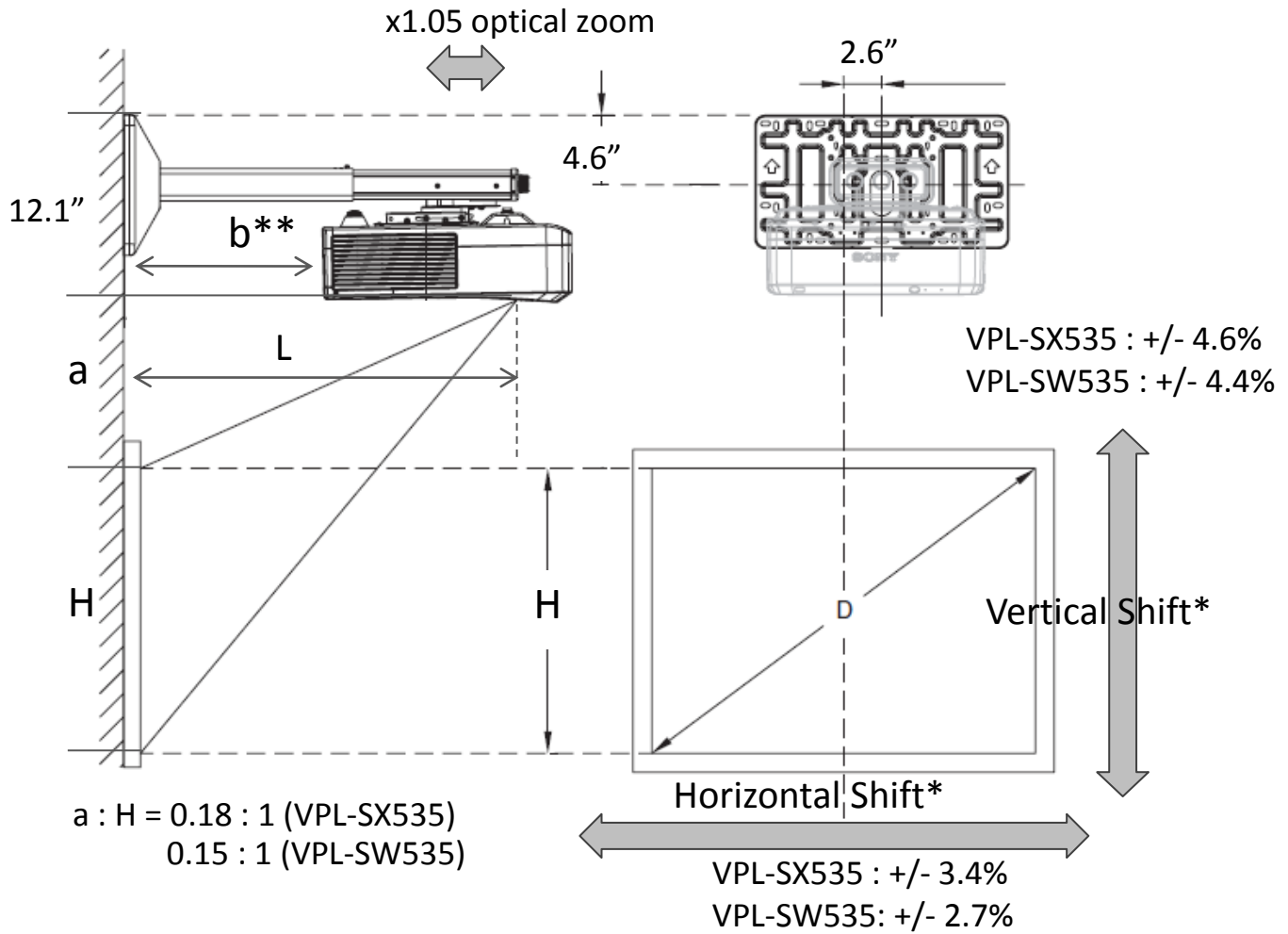
For more information, visit: [www.sony.com/projectors](http://www.sony.com/projectors)

\*<sup>1</sup> The value is average with lamp dimming.

\*<sup>2</sup> Expected maintenance time not guaranteed. Lamp and filter performance will vary based on operating environment and use.

\*<sup>3</sup> Works as an audio switcher function. Output from a selected channel, not available in standby.

## Projection Diagram



	Screen size			Throw		Projector Position		
	Diagonal (D)	Width	Height (H)	L (min)	L (max)	a	b (min)	b (max)
<b>VPL-SX535</b> XGA (4:3) Throw Ratio : 0.34:1-0.36:1 Lens Shift : V : +/-4.6% H : +/-3.4%	60 (min)	48	36	16.7	17.2	6.4	4.6	5.1
	70	56	42	19.5	20.0	7.6	7.3	7.9
	80	64	48	22.3	22.9	8.7	10.1	10.8
	90	72	54	25.0	25.8	9.8	12.9	13.6
	100	80	60	27.8	28.6	10.9	15.7	16.5
	110 (max)	88	66	30.6	31.5	12.0	18.5	19.4
<b>VPL-SW535</b> WXGA (16:10) Throw Ratio : 0.27:1-0.29:1 Lens Shift : V : +/-4.4% H : +/-2.7%	70 (min)	59	37	16.3	16.9	5.4	4.2	4.7
	80	68	42	18.7	19.3	6.3	6.5	7.1
	90	76	48	21.0	21.7	7.1	8.9	9.5
	100	85	53	23.3	24.1	7.9	11.2	12.0
	110	93	58	25.7	26.5	8.7	13.6	14.4
	120	102	64	28.0	28.9	9.5	15.9	16.8
	130 (max)	110	69	30.4	31.3	10.3	18.2	19.2

All figures are approximate

\*Shows max shift range. Range of vertical shift decreases when shifted horizontally, and vice versa.

\*\*b: Distance between the rear of the projector and the screen is throw distance (L) - 12.1"