

DIGITAL PROJECTOR | MX701

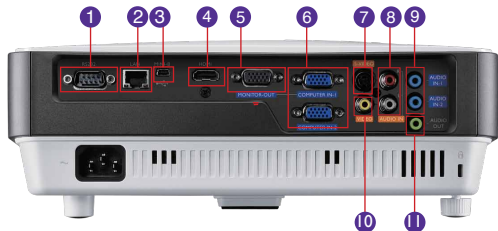


Features

- Native XGA (1024x768) Resolution
- 2700 ANSI Lumens, 10000:1 Contrast Ratio
- 10W Speaker, HDMI x 1, Eco Blank,
- LAN Control, Instant Restart, Teaching Template
- DLP 3D Ready, Long Lamp Life



Input and Output Terminals



- | | |
|--------------------------|---------------------------|
| 1 RS-232 (DB-9pin) | 7 S-Video |
| 2 LAN (RJ45) | 8 Audio L/R In (RCA) |
| 3 USB (Type Mini B) | 9 Audio In 1 / Audio In 2 |
| 4 HDMI | 10 Video |
| 5 Monitor Out | 11 Audio Out |
| 6 Computer-1/ Computer-2 | |

Specifications

Projection System	DLP
Native Resolution	XGA(1024 x 768)
Brightness	2700 ANSI lumens
Contrast Ratio	10000 : 1
Display Color	1.07 Billion Colors
Lens	F=2.54-2.73, f=21-23.1mm
Aspect Ratio	Native 4:3 (5 aspect ratio selectable)
Throw Ratio	1.64-1.97 (60" @ 6.56 ft)
Image Size (Diagonal)	35"~300"
Zoom Ratio	1.2:1
Lamp Type	190W
Lamp (Nor/Eco Mode)*	4500/6000 hours
Keystone Adjustment	Vertical +/- 40 degrees
Projection Offset	110%±5%
Resolution Support	VGA(640 x 480) to UXGA(1600 x 1200)
Horizontal Frequency	31K~102KHz
Vertical Scan Rate	23~120Hz
HDTV Compatibility	480i, 480p, 576i, 576p, 720p, 1080i, 1080p
Video Compatibility	NTSC, PAL, SECAM
3D Compatibility	PC: 120Hz Frame Sequential 2D for resolutions up to WXGA, PC: 60Hz Frame Sequential 3D for resolutions up to WXGA, PC: 60Hz Top-bottom 3D for resolutions up to SXGA+, Video: 60Hz Frame Sequential 3D for resolutions up to 480i
Interface	Computer in (D-sub 15pin) x 2 Monitor out (D-sub 15pin) x 1 HDMI(V1.3) x 1 Composite Video in (RCA) x 1 S-Video in (Mini DIN 4pin) x 1 Audio in (Mini Jack) x 2 Audio L/R in (RCA) x 1 Audio out (Mini Jack) x 1 Speaker 10W x 1 LAN (RJ45) x 1 USB (Type Mini B) x 1 (Download & Page up/down) RS232 (DB-9pin) x 1
Dimensions(W x H x D)	11.3" x 4.5" x 9.16"
Weight	5.51lbs (2.5 kg)
Power Supply	AC 100 to 240 V, 50/60 Hz
Power Consumption	265W (Typical), Standby<1W
Audible Noise	31/26 dBA (Normal/Economic mode)
On-Screen Display Languages	English/ France/ Germany/ Italian/ Spanish/ Russian/ Traditional Chinese/ Simplified Chinese/ Japanese/ Korean/ Swedish/ Dutch/ Turkish/ Czech/ Portuguese/ Thai/ Polish/ Hungarian/ Croatian/ Romanian/ Norwegian/ Danish/ Bulgaria/ Finnish/ Indonesian/ Greek/ Hindi/ Arabic (28 Languages)
Picture Modes	Dynamic/Presentation/sRGB/Cinema/User 1/User 2
Accessories (Standard)	Remote Control w/ Battery, Power Cord, User Manual CD, Quick Start Guide, Warranty Card, VGA(D-sub 15pin) Cable
Accessories (Optional)	Spare Lamp Kit P/N: 5J.J5R05.001 3D Glasses P/N: 5J.J0T14.011 Universal Ceiling Mount P/N: 5J.J2K01.001 Carrying Bag P/N: 5J.J3T09.001
Limited Warranty	3-Year Parts/Labor; 1-Year or 2000 hours of lamp life

*Lamp life results will vary depending on environmental conditions and usage. Actual product's features and specifications are subject to change without notice.

MX701 11-27-11-BQus



BenQ America Corp.
15375 Barranca Parkway, Suite A-205, Irvine, CA 92618 • Tel: (949) 255-9500 • www.BenQ.us

BenQ is a registered trademark of BenQ Corp. DLP is a registered trademark of Texas Instruments. All rights reserved. Product names, logos, brands, and other trademarks featured or referred to in this materials are the property of their respective trademark holders. Specifications subject to change without notice.



Enjoyment Matters

MX701 Digital Projector

Distance Chart

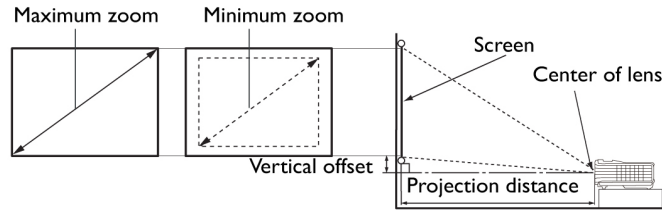
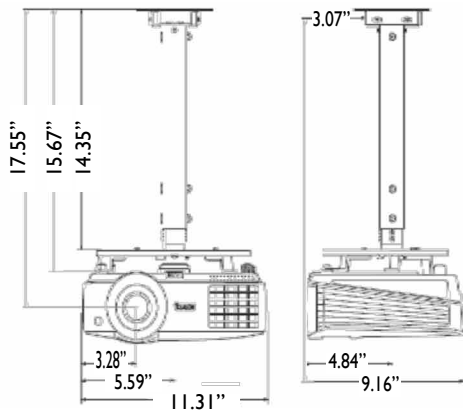


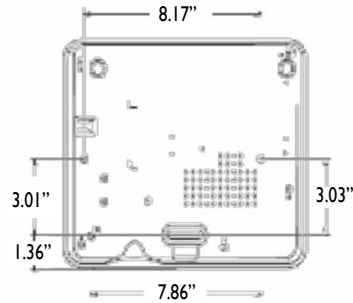
Table A1: The screen aspect ratio is 4:3 and the projected picture is 4:3

Screen size		Size of the projected image		Distance from screen (mm)			Vertical offset (mm)
Diagonal		H (mm)	W (mm)	Min length	Average	Max length	
Inch	mm			(max. zoom)		(min. zoom)	
40	1016	610	813	1231	1415	1600	46
50	1270	762	1016	1538	1769	2000	57
60	1524	914	1219	1846	2123	2400	69
70	1778	1067	1422	2154	2477	2800	80
80	2032	1219	1626	2462	2831	3200	91
90	2286	1372	1829	2769	3185	3600	103
100	2540	1524	2032	3077	3538	4000	114
120	3048	1829	2438	3692	4246	4800	137
150	3810	2286	3048	4615	5308	6000	171
200	5080	3048	4064	6154	7077	8000	229
250	6350	3810	5080	7692	8846	10000	286
300	7620	4572	6096	9231	10615	12000	343

Ceiling Mount Chart



Ceiling Mount Screw: M4 x 8 (Max L = 8 mm)



Units: inch

Dimensions

