

DIGITAL
PROJECTOR

MX822ST

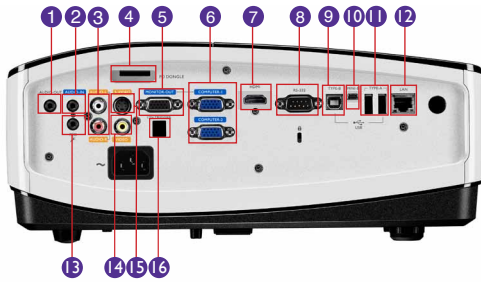


Features

- Native XGA (1024 x 768) Resolution
 - 3,500 ANSI Lumens, 13,000:1 Contrast Ratio
 - PointDraw 3.0 Ready, 0.62 Short Throw Ratio
 - SmartEco™ Power Saving Technology
 - DLP® 3D via PC & Blu-Ray/DVD Player
 - LAN Control/Display, USB Reader/Display
- *Optional Wireless Display, Optional PointDraw Interactivity



Input and Output Terminals



- | | |
|-----------------------------------|--------------------------------|
| 1 Audio Out (Mini Jack) | 9 USB (Type B) |
| 2 Audio In 1 (Mini Jack) | 10 USB (Type Mini B) |
| 3 Audio In L/R (RCA) | 11 USB (Type A) |
| 4 PointDraw 3.0 port | 12 LAN (RJ45) |
| 5 Monitor Out (D-sub 15pin) | 13 Microphone |
| 6 Computer In 1 & 2 (D-sub 15pin) | 14 Composite Video In (RCA) |
| 7 HDMI | 15 S-Video In (Mini DIN 4pin) |
| 8 RS232 (DB-9pin) | 16 DC 12V Trigger (3.5mm Jack) |



Specifications

Projection System	DLP®
Native Resolution	XGA (1024x768)
Brightness	3,500AL
Contrast Ratio	13,000:1
Display Color	1.07 Billion Colors
Lens	F=2.8, f=7.26 mm
Aspect Ratio	Native 4:3 (5 aspect ratio selectable)
Throw Ratio	0.62 (78" @ 0.99m)
Image Size (Diagonal)	55"~87"
Zoom Ratio	Fixed
Lamp Type	310W
Lamp Life	2500/3000/3500 hours
Keystone Adjustment	1D, Vertical +/- 30 degrees
Projection Offset	130% ±5%
Resolution Support	VGA(640 x 480) to UXGA(1600 x 1200)
Horizontal Frequency	31~100 KHz
Vertical Scan Rate	50~120 Hz
Compatibility	HDTV Compatibility: 480i, 480p, 576i, 576p, 720p, 1080i, 1080p Video Compatibility: NTSC, PAL, SECAM 3D Compatibility: PC: 120Hz Frame Sequential 3D for resolutions up to WXGA, PC: 60Hz Top-bottom 3D for resolutions up to SXGA+ Video: 60Hz Frame Sequential 3D for resolutions up to 480i
Interface	Computer in (D-sub 15pin) x 2 (Share with component) Monitor out (D-sub 15pin) x 1 Composite Video in (RCA) x 1 S-Video in (Mini DIN 4pin) x 1 HDMI x 1 Audio in (Mini Jack) x 2 Audio in (L/R) x 1 Audio out (Mini Jack) x 1 Speaker 20W x 1 USB (Type mini B) x 1 (USB Display & Download) USB (Type A) x 2 (USB Reader & Wireless Display & Remote Desktop) RJ45 x 1 (LAN control, LAN display, audio) DC 12V Trigger (3.5mm Jack) x 1 RS232 (DB-9pin) x 1 IR Receiver x 2 (Front+rear) PointDraw 3.0 port x 1
Dimensions (WxHxD)	12.9" x 5.1" x 9.8"
Weight	8.1 lbs (3.64 kg)
Power Supply	AC100 to 240 V, 50 to 60 Hz
Power Consumption	370W(typical), Standby<0.5W
Audible Noise	36/34 dBA (Normal/Economic mode)
On-Screen Display Languages	Arabic/Bulgarian/ Croatian/ Czech/ Danish/ Dutch/ English/ Finnish/ French/ German/ Greek/ Hindi/ Hungarian/ Italian/ Indonesian/ Japanese/ Korean/ Norwegian/ Polish/ Portuguese/ Romanian/ Russian/ Simplified Chinese/Spanish/ Swedish/ Turkish/ Thai/ Traditional Chinese (28 Languages)
Picture Modes	Dynamic/Presentation/sRGB/Cinema/User 1/User 2
Accessories (Standard)	Lens Cover, Remote Control w/ Battery, Power Cord, User Manual CD, Quick Start Guide, Warranty Card, VGA(D-sub 15pin) Cable
Accessories (Optional)	Wireless Dongle WDRL 3070 5J.J0614.A21 Spare Lamp Kit 5J.J6R05.001 Wall Mount WM06G3 5J.J4R10.011 3D Glasses_D3 5J.J7K25.001 Carry bag 5J.J2V09.011 PD03_PenKit 5J.J8E26.A01 PD03_Pen 5J.J8E26.A11
Limited Warranty	3-Year Parts & Labor / 1-Year or 2000 hours of lamp life

*Lamp life results will vary depending on environmental conditions and usage. Actual product's features and specifications are subject to change without notice.

MX822ST 03-15-13-BQus



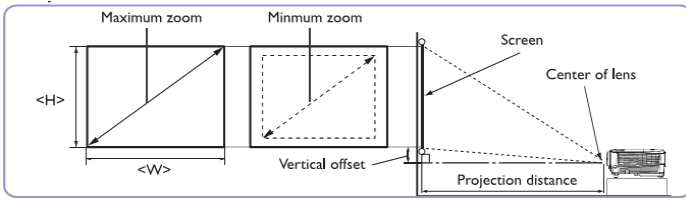
BenQ America Corp.
15375 Barranca Parkway, Suite A-205, Irvine, CA 92618 • Tel: (949) 255-9500 • www.BenQ.us

BenQ is a registered trademark of BenQ Corp. DLP is a registered trademark of Texas Instruments. All rights reserved.
Product names, logos, brands, and other trademarks featured or referred to in this materials are the property of their respective trademark holders.
Specifications subject to change without notice.



MX822ST Digital Projector

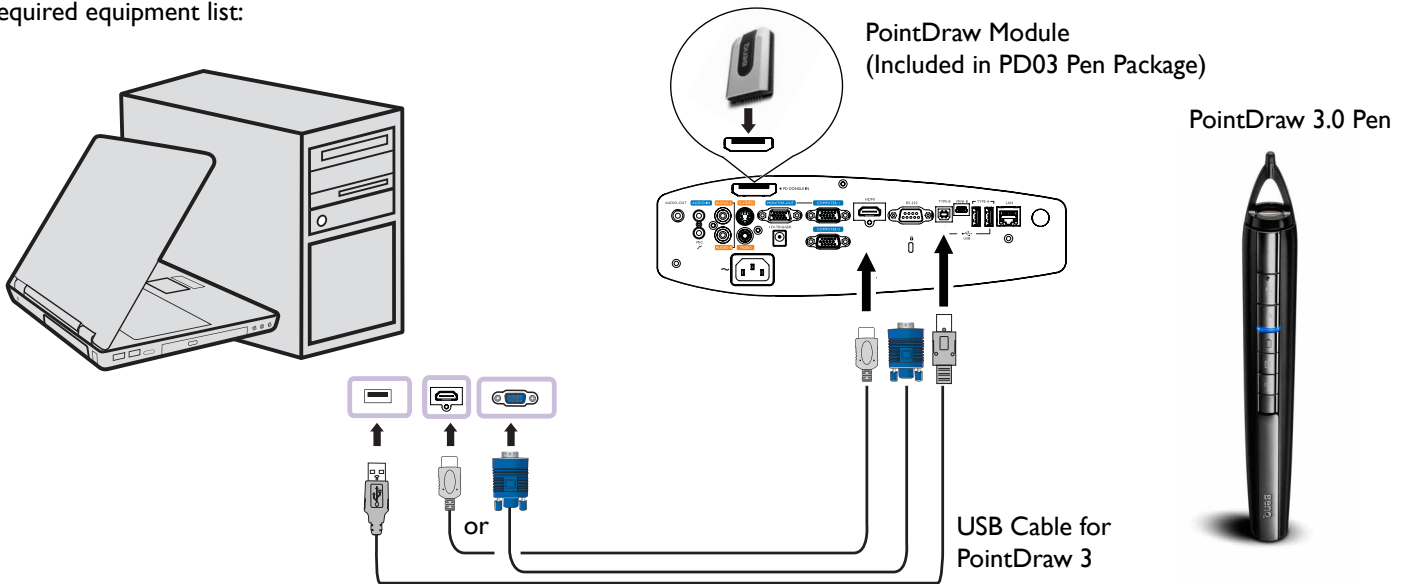
Distance Chart



Screen Size				Distance from screen (inch)	Vertical offset (inch)
Diagonal		W	H		
Inch	cm	(inch)	(inch)		
30	76	24	18.1	.014	2.7
40	102	31.8	24	.02	3.5
60	152	48.0	35.8	.029	5.5
80	203	64.2	48	.04	7.1
100	254	79.9	59.8	.05	9.1
120	305	96.1	72	.06	10.6
150	381	120	90.1	.07	13.3
200	508	159.8	120	.10	18.1
250	635	200	150	.12	22.4
300	762	240.1	179.9	.15	27.1

Optional Interactivity Function

Required equipment list:



Dimensions

