

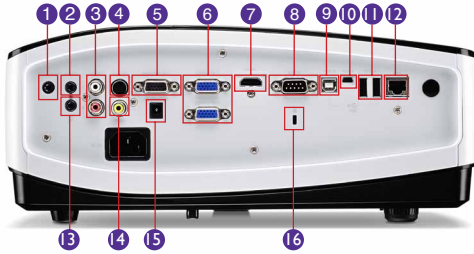


Features

- Native WXGA (1280 x 800) Resolution
- 4,200 ANSI Lumens, 13,000:1 Contrast Ratio
- SmartEco™ Power Saving Technology
- Various 3D Format Support, Wireless Display (Opt)
- LAN Display/Control, USB Reader/Display



Input and Output Terminals



- | | |
|-----------------------------------|------------------------------|
| 1 Audio Out (Mini Jack) | 9 USB (Type B) |
| 2 Audio In (Mini Jack) | 10 USB (Type Mini B) |
| 3 Audio In L/R (RCA) | 11 USB (Type A) |
| 4 S-Video In (Mini DIN 4pin) | 12 LAN (RJ45) |
| 5 Monitor Out (D-sub 15pin) | 13 Microphone in (Mini Jack) |
| 6 Computer In 1 & 2 (D-sub 15pin) | 14 Composite Video in (RCA) |
| 7 HDMI | 15 12V Trigger |
| 8 RS232 (DB-9pin) | 16 Security Lock |

Specifications

Projection System	DLP®
Native Resolution	WXGA (1280x800)
Brightness	4,200 AL
Contrast Ratio	13,000:1
Display Color	1.07 Billion Colors
Lens	F=2.42-2.98, f=20.7-31.13mm
Aspect Ratio	Native 16:10 (5 aspect ratio selectable)
Throw Ratio	1.45-2.17 (63" @2m)
Image Size (Diagonal)	47"-300"
Zoom Ratio	1.5:1
Lamp Type	310 W
Lamp Life	2500/3000/3500 hours
Keystone Adjustment	1D, Vertical +/- 40 degrees
Projection Offset	125% ±5%
Resolution Support	VGA(640 x 480) to UXGA(1600 x 1200)
Horizontal Frequency	27K~102KHz
Vertical Scan Rate	23~120Hz
Compatibility	HDTV Compatibility: 480i, 480p, 576i, 576p, 720p, 1080i, 1080p Video Compatibility: NTSC, PAL, SECAM
Interface	Computer in (D-sub 15pin) x 2 (Share with component) Monitor out (D-sub 15pin) x 1 HDMI x 1 Composite Video in (RCA) x 1 S-Video in (Mini DIN 4pin) x 1 Audio in (Mini Jack) x 2 Audio L/R in (RCA) x 1 Audio out (Mini Jack) x 1 Microphone in (Mini Jack) x 1 Speaker 20W x 1 LAN (RJ45) x 1 (LAN Control & LAN Display & Audio) USB (Type A) x 2 (USB Reader & Wireless Display & Remote Desktop) USB (Type mini B) x 1 (USB Display & Download) RS232 (DB-9pin) x 1 IR Receiver x 2 (Front & Top)
Dimensions (WxHxD)	12.9" x 5.4" x 10.1"
Weight	8.59lbs (3.9 kg)
Power Supply	AC100 to 240 V, 50 to 60 Hz
Power Consumption	340W(typical), Standby<0.5W
Audible Noise	38/36 dBA (Normal/Economic mode)
On-Screen Display Languages	Arabic/Bulgarian/ Croatian/ Czech/ Danish/ Dutch/ English/ Finnish/ French/ German/ Greek/ Hindi/ Hungarian/ Italian/ Indonesian/ Japanese/ Korean/ Norwegian/ Polish/ Portuguese/ Romanian/ Russian/ Simplified Chinese/Spanish/ Swedish/ Turkish/ Thai/ Traditional Chinese (28 Languages)
Picture Modes	Dynamic/Presentation/sRGB/Cinema/User 1/User 2
Accessories (Standard)	Remote Control w/ Battery, Power Cord, User Manual CD, Quick Start Guide, Warranty Card, VGA(D-sub 15pin) Cable
Accessories (Optional)	Spare Lamp Kit P/N: 5J.J6R05.001 Ceiling Mount P/N: 5J.J4N10.001 3D Glasses P/N: 5J.J7K25.001 Carry bag P/N: 5J.J2V09.011
Limited Warranty	3-Year Parts & Labor / 1-Year or 2000 hours of lamp life
UPC Code	8400460-2543-4

*Lamp life results will vary depending on environmental conditions and usage. Actual product's features and specifications are subject to change without notice.



MW767 01-14-13-BQus



BenQ America Corp.
15375 Barranca Parkway, Suite A-205, Irvine, CA 92618 Tel: (949) 255-9500 www.BenQ.us

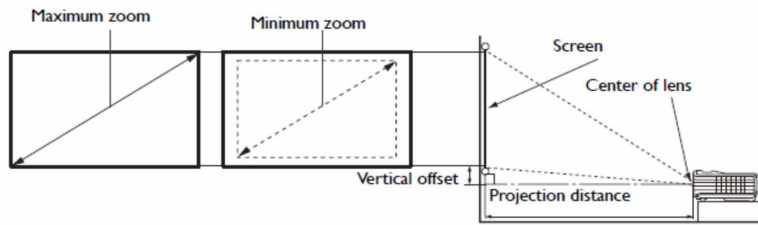
BenQ is a registered trademark of BenQ Corp. DLP® is a registered trademark of Texas Instruments. All rights reserved.
Product names, logos, brands, and other trademarks featured or referred to in this materials are the property of their respective trademark holders.
Specifications subject to change without notice.



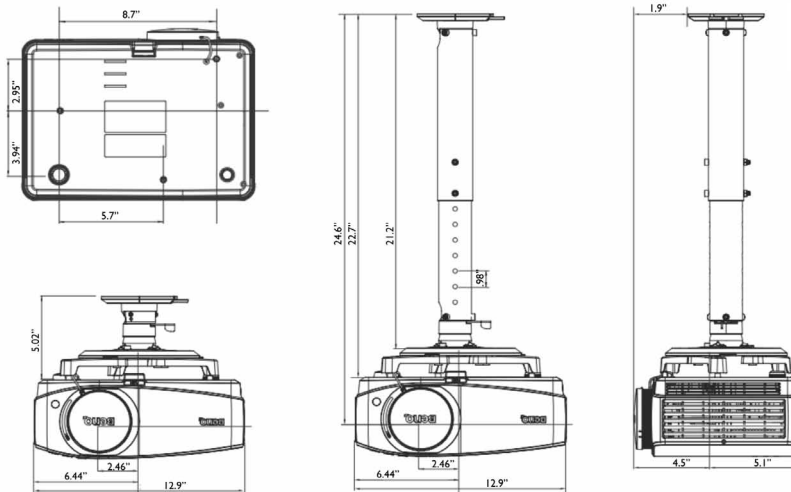
MW767 Digital Projector

Distance Chart

Screen Size				Distance from screen (inch)			Vertical offset (inch)
Diagonal		W (inch)	H (inch)	Min length (Max zoom)	Average	Max length (Min zoom)	
Inch	mm						
40	1020	34	21	.48	.62	.76	2.6
60	1520	51	32	.74	.94	1.13	3.9
80	2030	68	43	.99	1.26	1.52	5.3
100	2540	85	53	1.24	1.57	1.9	6.6
150	3810	127	80	1.88	2.37	2.87	9.9
200	5080	170	103	2.51	3.17	3.83	13.2
250	6350	212	133	3.14	3.96	4.79	16.5
300	7620	254	159	3.78	4.76	5.76	19.9



Wall Mount Chart



Ceiling mount screw: M4
(Max L = 25 mm; Min L = 20 mm)

Unit: inch

Dimensions

Unit: inch

