

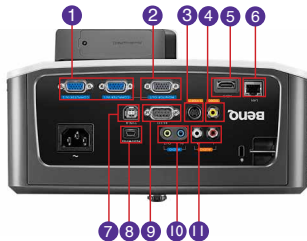


## Features

- Native XGA (1024 x 768) Resolution
- 3,000 ANSI Lumens, 10,000:1 High Contrast Ratio
- SmartEco™ Power Saving Technology
- Full 3D Ready
- Up to 7,000 Hours Lamp Life
- PointWrite Interactive Kit Compatible



## Input and Output Terminals



- ① Computer in 1 & 2 (D-sub 15pin)
- ② Monitor Out (D-sub 15pin)
- ③ S-Video In (Mini DIN 4pin)
- ④ Composite Video in (RCA)
- ⑤ HDMI
- ⑥ LAN
- ⑦ USB (Type Mini B)
- ⑧ PointWrite
- ⑨ RS232 (DB-9pin)
- ⑩ Audio In/Out (Mini Jack)
- ⑪ Audio (L/R)

## Specifications

|                              |                                                                                                                                                                                                                                                                                                                                                                                                                                         |  |
|------------------------------|-----------------------------------------------------------------------------------------------------------------------------------------------------------------------------------------------------------------------------------------------------------------------------------------------------------------------------------------------------------------------------------------------------------------------------------------|--|
| Projection System            | DLP®                                                                                                                                                                                                                                                                                                                                                                                                                                    |  |
| Native Resolution            | XGA (1024x768)                                                                                                                                                                                                                                                                                                                                                                                                                          |  |
| Brightness                   | 3,000AL                                                                                                                                                                                                                                                                                                                                                                                                                                 |  |
| Contrast Ratio               | 10,000:1                                                                                                                                                                                                                                                                                                                                                                                                                                |  |
| Display Color                | 1.07 Billion Colors                                                                                                                                                                                                                                                                                                                                                                                                                     |  |
| Lens                         | F2.5,f=5.1mm                                                                                                                                                                                                                                                                                                                                                                                                                            |  |
| Aspect Ratio                 | Native 4:3 (5 aspect ratio selectable)                                                                                                                                                                                                                                                                                                                                                                                                  |  |
| Throw Ratio                  | 0.43                                                                                                                                                                                                                                                                                                                                                                                                                                    |  |
| Image Size (Diagonal)        | 68"~85", Optimal 78"                                                                                                                                                                                                                                                                                                                                                                                                                    |  |
| Zoom Ratio                   | Fix                                                                                                                                                                                                                                                                                                                                                                                                                                     |  |
| Lamp Type                    | 230W                                                                                                                                                                                                                                                                                                                                                                                                                                    |  |
| Lamp (Normal/Economic Mode)* | 4000/5000/7000 hours                                                                                                                                                                                                                                                                                                                                                                                                                    |  |
| Keystone Adjustment          | 1D, Vertical +/- 40 degrees                                                                                                                                                                                                                                                                                                                                                                                                             |  |
| Projection Offset            | 140% ±5%                                                                                                                                                                                                                                                                                                                                                                                                                                |  |
| Resolution Support           | VGA(640 x 480) to UXGA(1600 x 1200)                                                                                                                                                                                                                                                                                                                                                                                                     |  |
| Horizontal Frequency         | 15~102KHz                                                                                                                                                                                                                                                                                                                                                                                                                               |  |
| Vertical Scan Rate           | 23~120Hz                                                                                                                                                                                                                                                                                                                                                                                                                                |  |
| Compatibility                | HDTV Compatibility: 480i, 480p, 576i, 576p, 720p, 1080i, 1080p<br>Video Compatibility: NTSC, PAL, SECAM,                                                                                                                                                                                                                                                                                                                                |  |
| Interface                    | Computer in (D-sub 15pin) x 2(Shared with component)<br>Monitor out (D-sub 15pin) x 1<br>Composite Video in (RCA) x 1<br>S-Video in (Mini DIN 4pin) x 1<br>HDMI x 1<br>Audio in (Mini Jack) x 1<br>Audio out (Mini Jack) x 1<br>Audio L/R x 1<br>Speaker 10W x 2<br>USB (Type mini B) x 2 (PointWrite interactive module)<br>USB (Type B) x 1 (FW download)<br>RJ45 x 1 (LAN control)<br>RS232 (DB-9pin) x 1<br>IR Receiver x 2 (Front) |  |
| Dimensions (WxHxD)           | 11.3" x 14.6" x 7.31" (w/o Mirror)<br>11.3" x 14.6" x 7.9" (w Mirror)                                                                                                                                                                                                                                                                                                                                                                   |  |
| Weight                       | 11.02 lbs (5KG) w/o wall mount                                                                                                                                                                                                                                                                                                                                                                                                          |  |
| Power Supply                 | AC100 to 240 V, 50 to 60 Hz                                                                                                                                                                                                                                                                                                                                                                                                             |  |
| Power Consumption            | typical 290W, stanby power <0.5W                                                                                                                                                                                                                                                                                                                                                                                                        |  |
| Audible Noise                | 33/29 dBA (Normal/Economic mode)                                                                                                                                                                                                                                                                                                                                                                                                        |  |
| Languages                    | Arabic/Bulgarian/ Croatian/ Czech/ Danish/ Dutch/ English/ Finnish/ French/ German/ Greek/ Hindi/ Hungarian/ Italian/ Indonesian/ Japanese/ Korean/ Norwegian/ Polish/ Portuguese/ Romanian/ Russian/ Simplified Chinese/Spanish/ Swedish/ Turkish/ Thai/ Traditional Chinese (28 Languages)                                                                                                                                            |  |
| Picture Mode                 | Dynamic/Presentation/sRGB/Cinema/(3D)/User 1/User 2                                                                                                                                                                                                                                                                                                                                                                                     |  |
| Accessories (Standard)       | Remote Control w/ Battery, Power Cord, User Manual CD<br>Quick Start Guide, Warranty Card, VGA(D-sub 15pin) Cable<br>Dust filter(C SKU), Wall mount kit (installation guide)                                                                                                                                                                                                                                                            |  |
| Accessories (Optional)       | Spare Lamp Kit P/N: 5J.J8M05.011<br>3D Glasses (DGD24) P/N: 5J.J7L25.001<br>PointWrite kit (PW01U) P/N: 5J.J9A26.10E                                                                                                                                                                                                                                                                                                                    |  |
| UPC / Part #                 | 8400460-3027-8 / 9H.J8M77.23A                                                                                                                                                                                                                                                                                                                                                                                                           |  |
| Limited Warranty             | 3 Years Parts/Labor; 1 Year or 2,000 hours of lamp life.                                                                                                                                                                                                                                                                                                                                                                                |  |

\*Lamp life results will vary depending on environmental conditions and usage. Actual product's features and specifications are subject to change without notice.



MX852UST 07-08-14-BQus



BenQ America Corp.  
www.BenQ.us

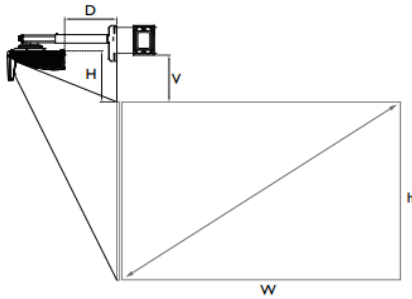
BenQ is a registered trademark of BenQ Corp. DLP® is a registered trademark of Texas Instruments. All rights reserved. Product names, logos, brands, and other trademarks featured or referred to in this materials are the property of their respective trademark holders. Specifications subject to change without notice.



Because it matters

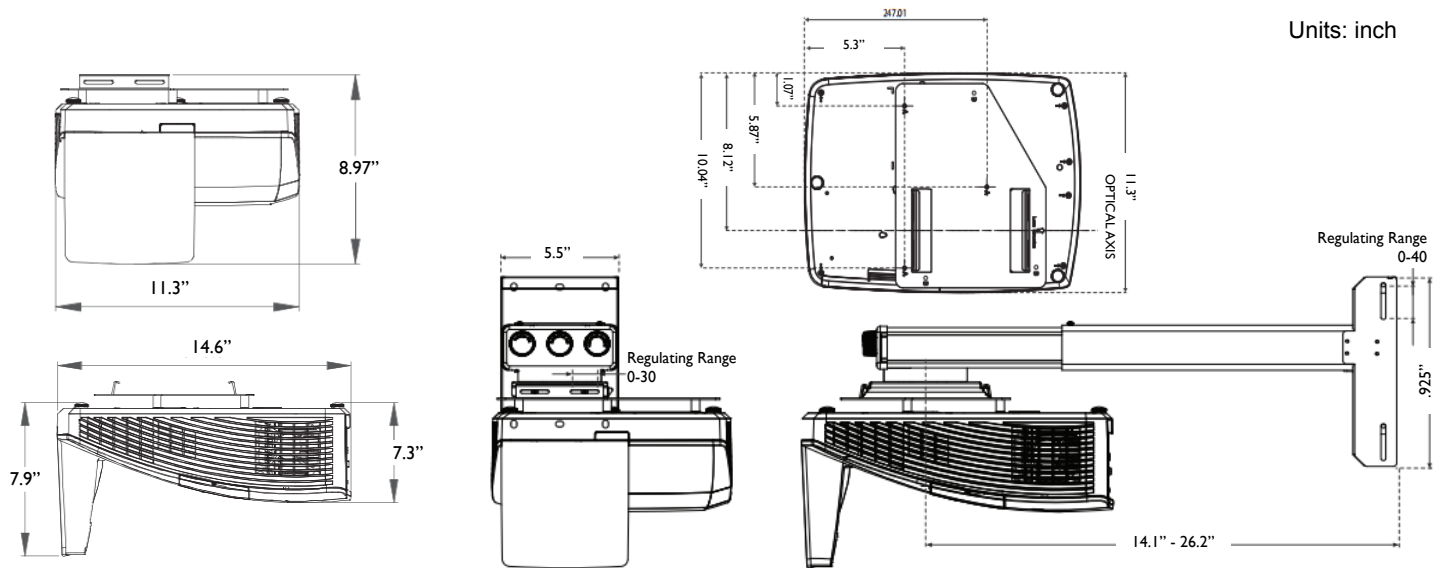
# MX852UST Digital Projector

## Distance Chart



| Screen size (Diagonal) |      | Screen size Width (W) |      | Screen size Height (h) |      | Projection distance (D) |       | Offset (H) |       | Scale parameter | Distance between Wall plate & projection screen (V) |
|------------------------|------|-----------------------|------|------------------------|------|-------------------------|-------|------------|-------|-----------------|-----------------------------------------------------|
| inch                   | mm   | inch                  | mm   | inch                   | mm   | inch                    | mm    | inch       | mm    | inch            |                                                     |
| 68                     | 1727 | 54                    | 1382 | 40                     | 1036 | 11.16                   | 283.4 | 11.86      | 301.3 | 500             | 273.5                                               |
| 70                     | 1778 | 55                    | 1422 | 42                     | 1067 | 11.91                   | 302.4 | 12.15      | 308.5 | 515             | 280.7                                               |
| 75                     | 1905 | 59                    | 1524 | 45                     | 1143 | 13.83                   | 351.4 | 12.88      | 327.2 | 560             | 299.4                                               |
| 77                     | 1956 | 61                    | 1565 | 46                     | 1173 | 14.62                   | 371.4 | 13.18      | 334.8 | 585             | 307                                                 |
| 80                     | 2032 | 63                    | 1626 | 48                     | 1219 | 15.72                   | 399.4 | 13.60      | 345.4 | 615             | 317.6                                               |
| 82                     | 2083 | 65                    | 1666 | 49                     | 1250 | 16.51                   | 419.4 | 13.90      | 353   | 635             | 325.2                                               |
| 85                     | 2159 | 67                    | 1727 | 51                     | 1295 | 17.61                   | 447.4 | 14.32      | 363.7 | 665             | 335.9                                               |

## Ceiling Mount Chart



Units: inch

## Dimensions



Units: inch



Because it matters